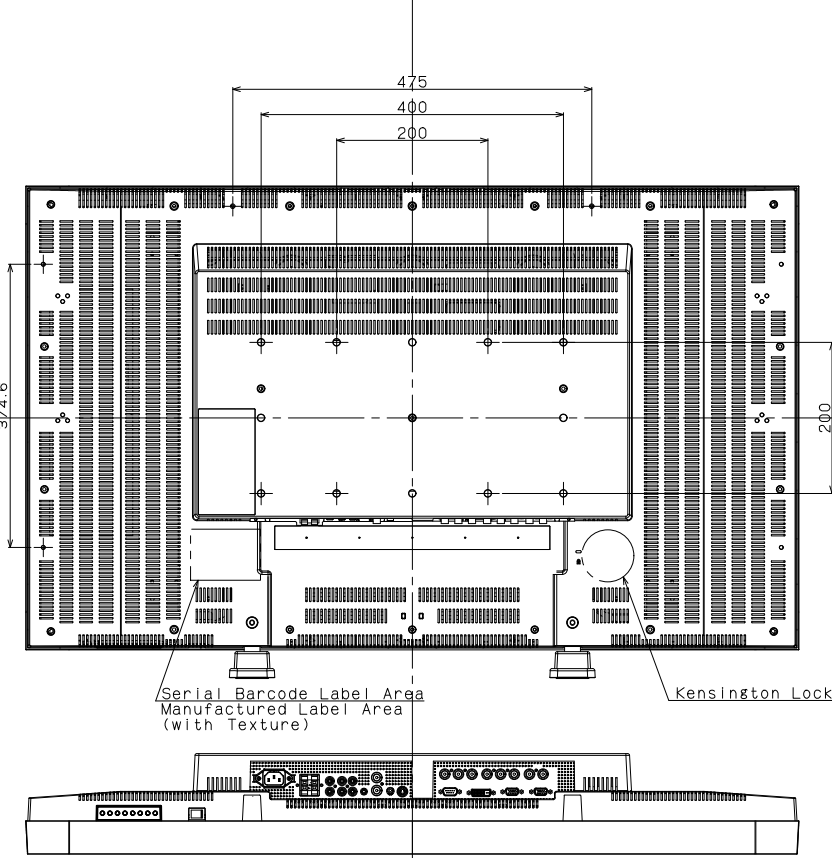
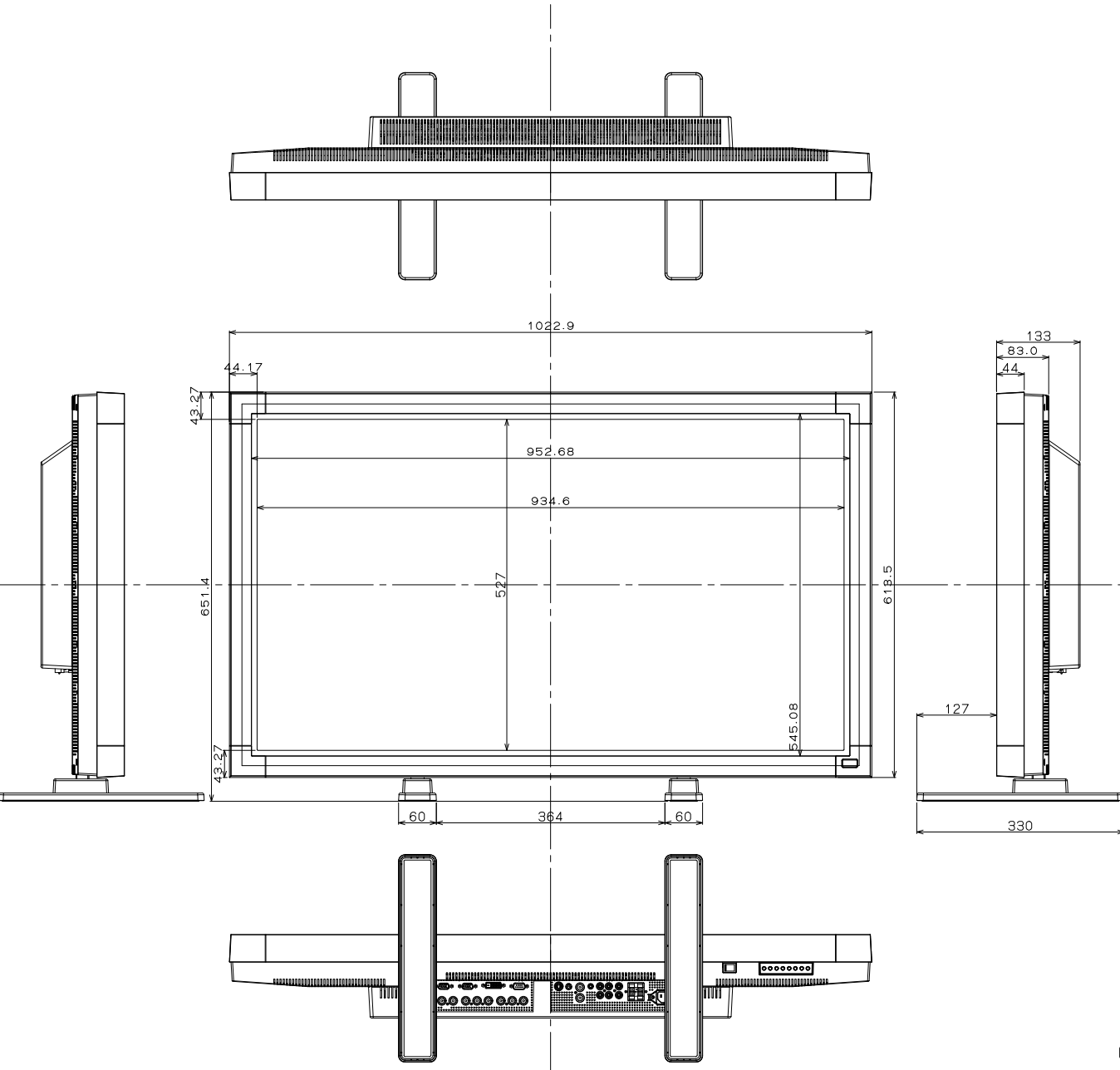


LCD4215 with ST-4020
Outside drawing



Connector Layout